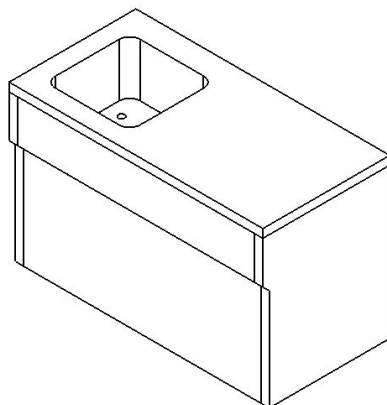


Forclean - Stainless steel equipment

STAINLESS STEEL WASHING TABLES



- Stainless steel washing tables, along with the other elements of the Forlab stainless steel system, are a complete kit for setting up any furniture assembly that meets the customer's requirements. The table consists of worktop, frame and additional covering.
- The worktop consists of a P1.5 stainless steel sheet facing with a welded-in sink(s) and a laminate filler. From the perspective of design, it may be simple, with indentation (raised edge) or with edge raised by 40 mm.
- The frame is composed of H-shaped side legs and reinforcement bolted to the side legs. The legs feature standard adjustable feet allowing to adjust the table height (approx. 30 mm). When assembling two tables, one central leg, instead of two legs, is used for joining the two tables. The sheet covering may be one-sided, two-sided or three-sided.

Dimensional range:

Width (mm)	900; 1200; 1500; 1800
Depth (mm)	600; 750; 900
Height (mm)	750, 900

STAINLESS STEEL WASHING TABLES

S1: Washing table GMP

215.03: Washing table GMP

S2: Width

value	width
1200: Width	1200 mm
1500: Width	1500 mm
1800: Width	1800 mm
900: Width	900 mm

S3: Depth

value	depth
600: Depth	600 mm
750: Depth	750 mm
900: Depth	900 mm

S4: Height

value	height
750: Height	750 mm
900: Height	900 mm

S5: Table construction type

S6: Worktop design

H: Worktop design

L: Worktop design

P: Worktop design

S7: Number and location of sinks

D: Two sinks

L: Sink on the left

P: Sink on the right

S: Sink in the middle

S8: Sink dimensions

400×400×250: Sink dimensions

500×500×250: Sink dimensions

S9: Additional covering

B: Additional covering

L: Additional covering

P: Additional covering

R: Additional covering

Additional covering

Forclean - Stainless steel equipment

STAINLESS STEEL WASHING TABLES**S10: Mixer****S11: Water trap**

value	material
SP: Water trap	plast
S4: Water trap	nerezová ocel AISI 304
S6: Water trap	nerezová ocel AISI 316L
Water trap	není

S12: Worktop material

value	material
304: Worktop material	AISI 304 - SB
316: Worktop material	AISI 316 - SB

S13: Table frame material

value	material
304: Table frame material	AISI 304 - SB
316: Table frame material	AISI 316L - SB