

cat. no. 102.12

Partition panels

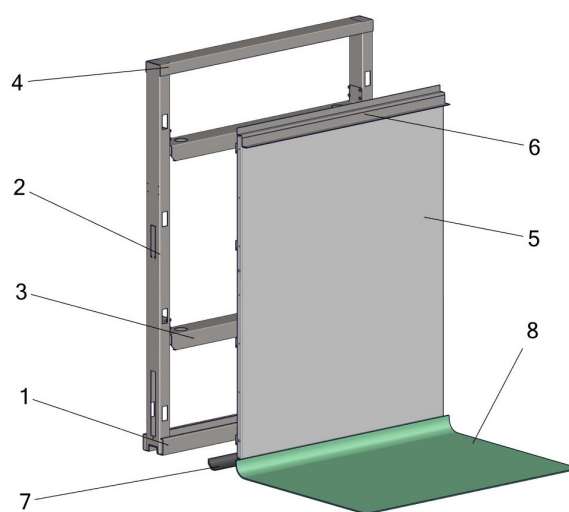
DOUBLE PARTITION



The double partition has been developed mainly for the partition in auxiliary rooms of the surgical wing (patient prep room, recovery rooms, physician washing room, sterilisation room, etc.) in the system of operating theatre build-outs.

PRODUCT DESCRIPTION

- The basic thickness of the double-sided partition is **100 mm**.
- For larger diameters in the partition, the thickness is **145 mm**
- The double partition is encased in cladding panels with plasterboard fillers.
- Panels are installed on vertical grid C-profiles, using a suspension ridge.
- The cladding can be double or single sided (wall cladding).



- 1) Basic profile, 2) Grid prop, 3) Grid crossbar, 4) Top profile, 5) Panel with suspension ridge and plasterboard reinforcement, 6) Suspended ceiling guide rail, 7) Supporting profile, 8) Flooring

PANEL FITTING

- The double-partition panels settle on the supporting grid.



ADVANTAGES

- colour stability
- corrosion protection
- thermal and acoustic insulation

AREAS OF APPLICATION

- Pharmacy, biotechnology, medical devices
- Microelectronics, optics, automotive, electrical engineering
- Healthcare
- Engineering, food and chemical industry, etc.

TECHNICAL DATA

Type

Cladding panel with suspension ridge

Panel type

Standard

Corner

Panel width S

1200 mm

600 mm

It is possible to order atypical panel dimensions: min. dimension of 100 mm, max. dimension of 1200 mm

Panel height H

2470 mm

2970 mm

For room clear height of 3000 mm – panel 2970 mm, max. panel height 3050 mm

Panel bottom edge

950

2015

3050

Bottom end

Basic (tongue)

Classic (straight)

Termination of C (classic), for example, window top panel, door top panel, upper assembly panel.

Facing hue and material – normally on the face side

Galvanized metal sheet, RAL 9016 hue

AISI 304 stainless steel

Powder coating (Komaxit), hue RAL

Atypical design

Type design

Atypical design

Type design 0 – unambiguous specification from the offered options; Atypical design Q – atypical solution that cannot be unambiguously specified by code

MORE INFORMATION, PHOTOS

