

cat. no. 103.01

Glazing of partition panels

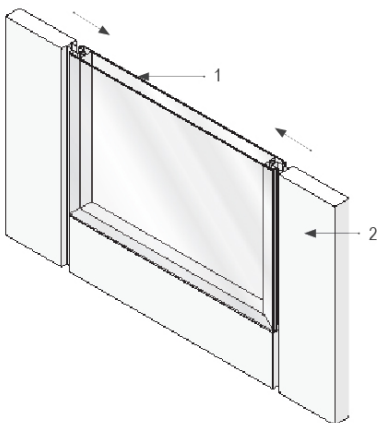
WINDOW PANEL - PHARMA GLAZING ACROSS PANEL WIDTH



With the system of partition panels, a glazed window panel represents one of the basic elements to construct clean workplaces and areas with maximum safety, sterility, hygiene, easy maintenance and sanitation.

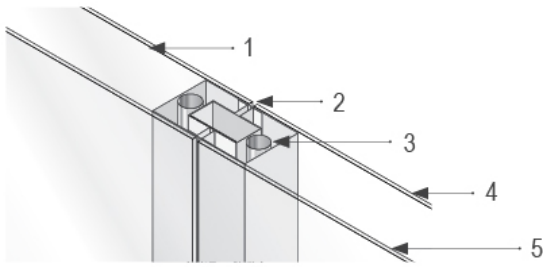
The system in question is the PHARMA glazing system, offering double-sided glazing where the glass pane is in plane with the surface of the panel.

Its design makes it suitable especially for hospital environments, areas in pharmaceutical industry, electrotechnical industry, mechanical engineering industry, food industry, etc.



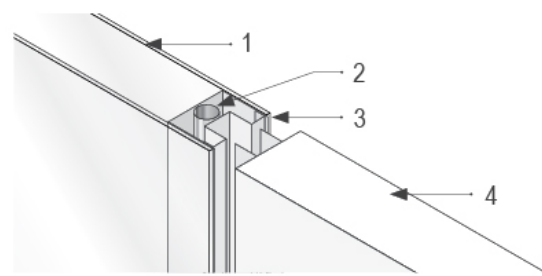
1 - Glazing; 2 - Partition panel

JOINING OF TWO GLAZING



1 - Glass; 2 - Mastic; 3 - Cable gland; 4 - Glass; 5 - Glass

JOINING OF THE PANEL AND GLAZING



1 - Glass; 2 - Cable gland; 3 - Mastic; 4 - Partition panel

TECHNICAL DATA

Panel type

window panel - Pharma glazing across panel width

Panel thickness

100 mm

60 mm

52 mm

Structural opening dimensions

width	height
1190 mm	970 mm
1190 mm	1500 mm
1200 mm	970 mm

Maximum structural opening dimensions 1500x1500x120 mm!

Dimensions 1200x970 mm - glazing only for panels with aluminum frame thickness. 52 mm.

Glazing

laminated safety glass, thickness 6 mm

float glass, thickness 4mm

atypical

Note: As standard the glazing is of clear glass, but it is possible to order an atypical version with milk glass.

Float glass design only for glazing with sill 1100mm and above.

Blinds type

without blinds

atypical

electric blinds

magnetic blinds

mechanical blinds

Attention: Magnetic blinds can be controlled only from one side! Standard hue of blinds S156 (silver) according to the manufacturer's sample book, custom hues according to RAL colour standard. The notes must specify the number of the panel in which the blinds control will be installed and the blind control side.

Blinds control

on visible side

on non-visible side

remote (only for electric)

The notes must specify the number of the panel in which the blinds control will be installed.

Hue and material

Metal sheet, hue RAL 9002

Metal sheet, hue RAL 9016

Stainless steel AISI 304

Komaxit, hue RAL

Atypical design

Type design

Atypical design

Type design

0 - Unique specification out of offered versions

Atypical design

Q - atypical design that cannot be uniquely specified by a code

MORE INFORMATION, PHOTOS

