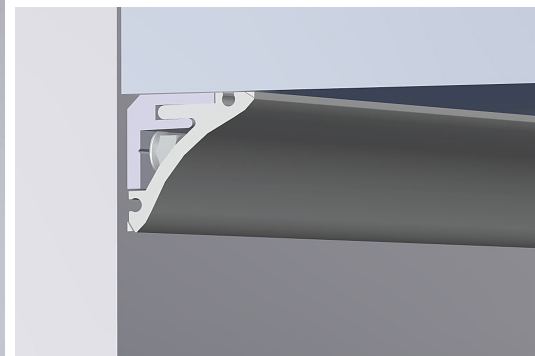


ALUMINIUM COVING AND ITS ACCESSORIES

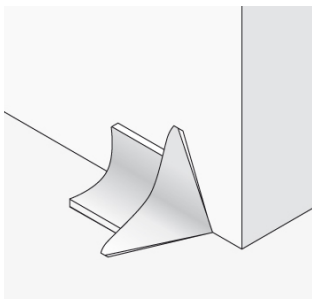


Aluminium covings are used to cover inner corners and angles in clean areas (wal-wal, wal-ceiling).

DESCRIPTION

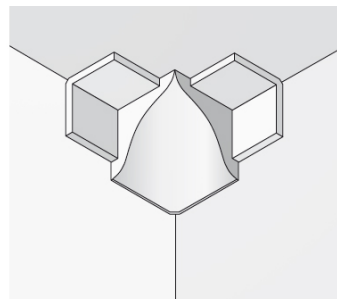
- They consist of two parts. The first part is the F-strip or T-strip and the second part is the actual coving.
- Plastic end pieces and corner pieces are used to join covings in corners.

End part straight



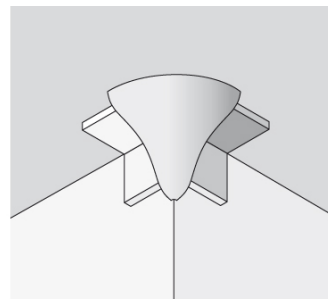
Used to end the coving

Inner corner piece



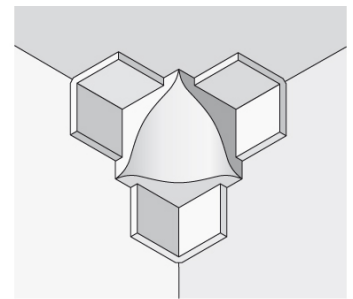
Used for quick and smooth joining of covings in an inner corner, where 2 covings meet at an angle of 90°

Outer corner piece



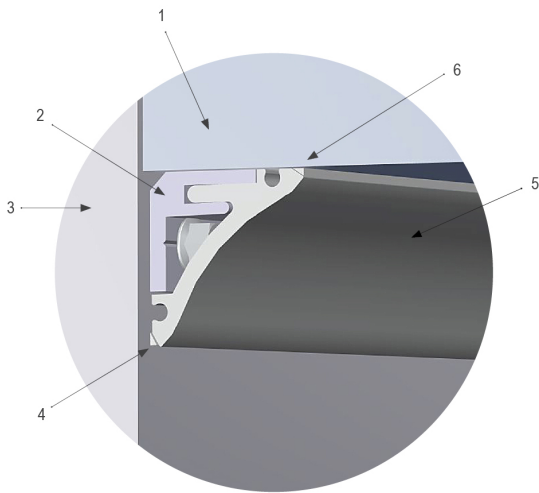
Used for quick and smooth joining of covings in an outer corner, where 2 covings meet at an angle of 90°

Inner corner piece



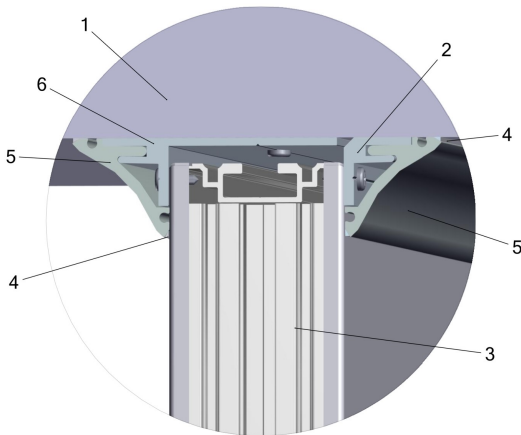
Used for quick and smooth joining of covings in an inner corner, where 3 covings meet at an angle of 90°

Detail 4F



1 - Ceiling; 2 - F - strip; 3 - Partition; 4 - Mastic; 5 - Aluminium coving;
6 - Mastic

Detail 5F



1 - Ceiling (walkable); 2 - F - strip; 3 - Partition; 4 - Mastic;
5 - Aluminium coving; 6 - T - strip

TECHNICAL DATA

Type

Aluminium coving and its accessories

Profile

End part straight

Inner corner piece

Outer corner piece

Inner corner piece

Aluminium coving - specify quantity(3,5m)

F-strip for coving FB (3,5 m)

T-strip for coving FB (3,5 m)

Aluminium coving - specify quantity. End part straight - specify quantity.

Colour finish

aluminium alloy in standard hue RAL 9016

RAL of the requested finish

Atypical design

Type design

Atypical design

Type design

0 - Unique specification out of offered versions

Atypical design

Q - atypical design that cannot be uniquely specified by a code

MORE INFORMATION, PHOTOS

