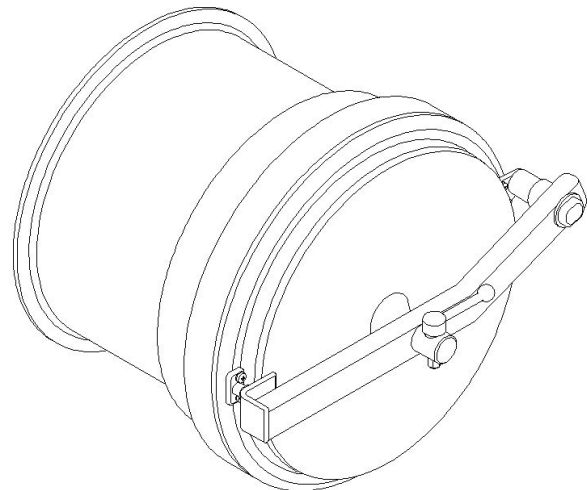
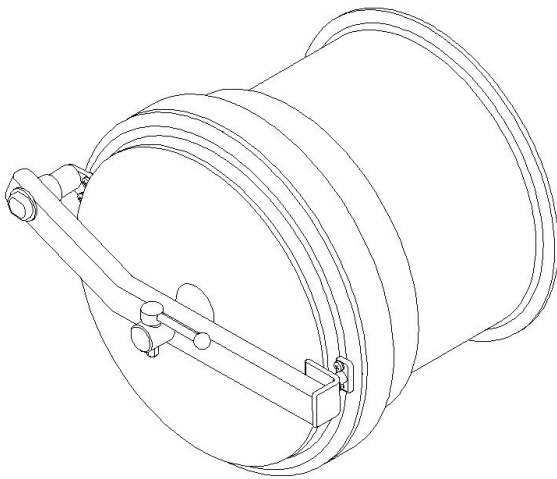
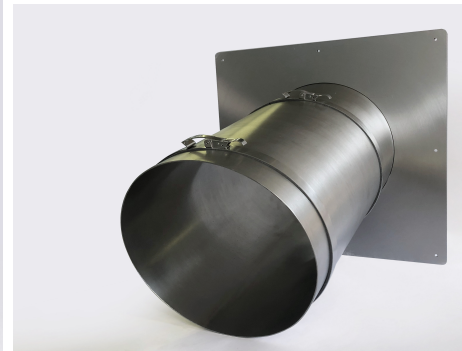
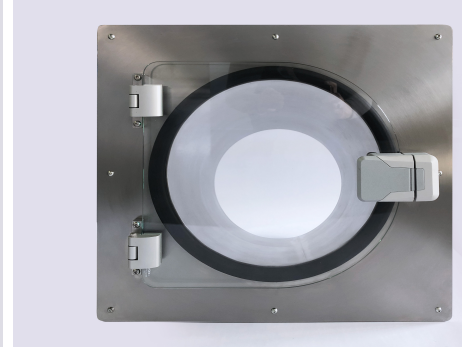
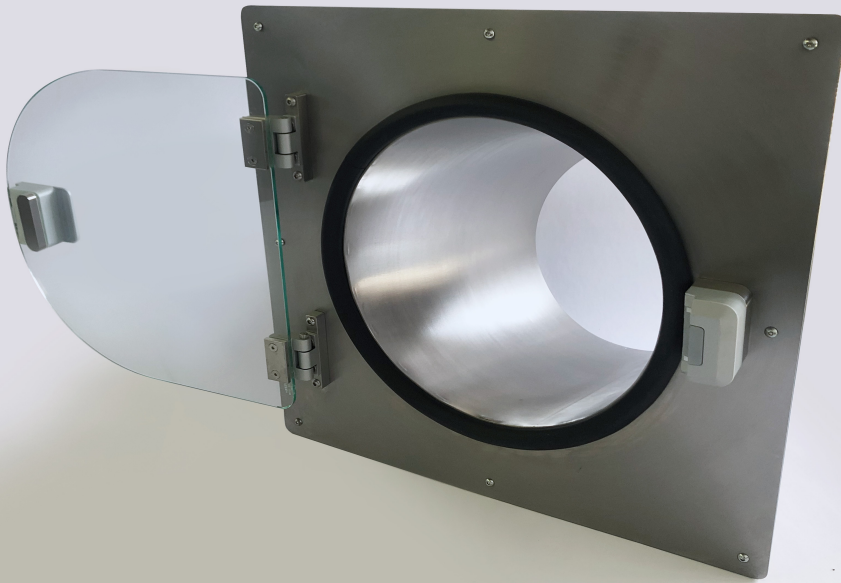


cat. no. 510.52

Archives

## CONTINUOUS LINER



Swinging door is used to transfer material out of the chamber without contaminating the operator. There is a swinging closing mechanism inside the chamber. A tube projects outside the chamber, protected by a tubular film and used for the removal of material. A welding strip is used as optional accessory to hermetically seal the tubular film in order to avoid contamination of the operator. The door is made as right-hand side or left-hand side depending on the side of the chamber where it will be installed. The inner part of the swinging mechanism is sealed using a static seal. The door is made using AISI316L, safety glass, POM-C FDA CRF.177.2470 and FDA CRF.177.2600 compliant silicone seal.

## TECHNICAL DATA

### Door type designation

Type designation of doors

### Selecting opening mode

Left side of body

Right side of body

In this category, you can select the side on which the swinging door will be mounted.

### Selecting welding strip

Welding strip not required

Welding strip required

In this category, you can select the delivery of a welding strip for the dimensional range concerned - i.e. whether it will be required or not.

## MORE INFORMATION, PHOTOS

